

POWER INDUCTOR MOLDING TYPE CIP SERIES

INTRODUCTION

The CIP series power inductors are surface-mount molding type which widely used in the applications such as DC/DC converters in Notebook, Netbook, desktop and server and low profile, high current power supplies.

FEATURES

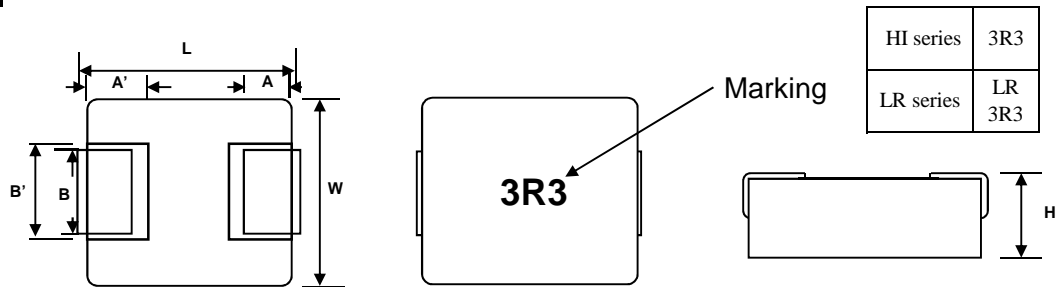
- * Operating temperature -55 to +125 °C.
- * High performance (saturation current) due to powdered iron composition.
- * Low loss due to design of low DC resistance.
- * Frequency application up to 3MHz.
- * Low profile with max thickness 3.0mm.
- * 100% lead free and metted RoHS standard.
- * Excellent solderability and resistance to soldering heat .
- * Suitable for reflow soldering.
- * High reliability and easy surface mount assembly.

PART NUMBER

CIP 0520 HI 100 M - □□
1 2 3 4 5 Internal Code

1 Product Type

2 Dimension



SIZE	L (mm)	W (mm)	H (mm)	A (mm)	A' (mm)	B (mm)	B' (mm)
CIP0520	5.60 ± 0.35	5.20 ± 0.20	2.00 ± 0.10	1.0 ± 0.4	1.5 ± 0.1	2.0 ± 0.3	2.5 ± 0.2
CIP0530	5.60 ± 0.35	5.20 ± 0.20	3.00 max.	1.0 ± 0.4	1.5 ± 0.1	2.0 ± 0.3	2.5 ± 0.2
CIP0630	7.20 ± 0.30	6.65 ± 0.20	3.00 max.	1.6 ± 0.4	2.0 ± 0.1	3.0 ± 0.3	3.4 ± 0.2

3 Application

HI : High Saturation Current
LR : Low DC Resistance

4 Inductance Value

1R0 = 1.0μH 2R2 = 2.2μH
1R5 = 1.5μH 3R3 = 3.3μH

5 Tolerance

M = ± 20 %
N = ± 30 %

MOLDING TYPE INDUCTOR SPECIFICATION

1 Scope

This specification applies to fixed inductors of the following types used in electronic equipment :

- LR Type : For low power application with lower DC resistance and lower power loss design requirement.
- HI Type : For higher high performance application with higher saturation current requirement.

2 Construction

- Configuration & Dimension : Please refer to the attached figures and tables.

3 Operating Temperature Range

Operating Temperature Range is the scope of ambient temperature at which the inductor can be operated continuously at rated current.

- Temp. Range : - 55^oC to + 125^oC

4 Characteristics

Standard Atmospheric Conditions

Unless otherwise specified, the standard range of atmospheric conditions for making measurements and tests are as follows :

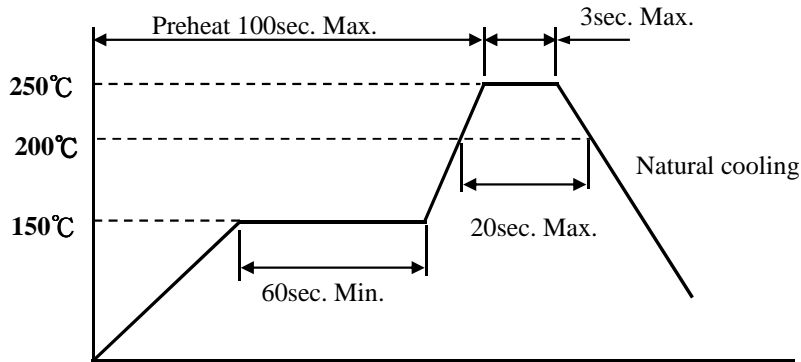
- Ambient Temperature : 25 °C ± 2 °C
- Relative Humidity : 60% to 70%
- Air Pressure : 86 Kpa to 106 Kpa

MOLDING TYPE INDUCTOR SPECIFICATION

Recommended Soldering Conditions (Please use this product by reflow soldering)

a Recommended Reflow temperature profile

(Temperature of the mounted parts surface on the printed circuit board)

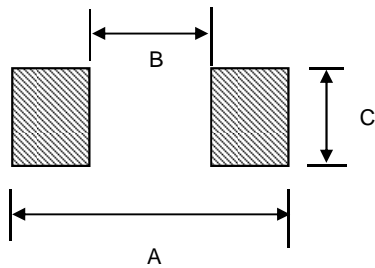


b Dip temperature

Use a solder iron of less than 30W when soldering, do not allow the soldering iron tip directly touch the ferrite body outside of terminal electrode.

2 seconds max. at 260°C.

c Recommended Footprint



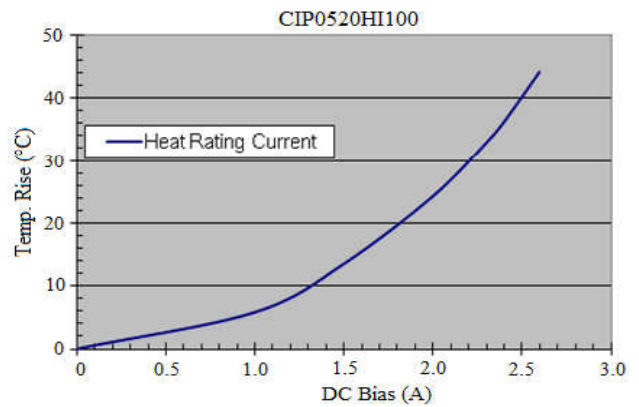
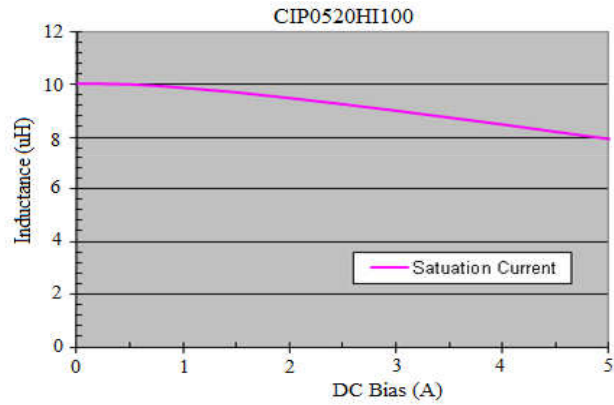
TYPE	A (mm)	B (mm)	C (mm)
0520	5.99	2.20	2.50
0530	5.99	2.20	2.50
0630	8.40	3.70	3.40

CIP0520 HI SERIES

Part No.	Inductance ¹ (uH)	Percent ² Tolerance	DCR ³		Isat ⁴ (A)	Irat ⁵ (A)
			Typ.(mΩ)	Max.(mΩ)		
CIP0520 HI	100 □-□□	M	140.0	150.0	4.0	2.3

1. Inductance is measured in HP-4284A Precision LCR Meter.
2. Tolerance : M =20% , N=30% (Table shows stock tolerances in □).
3. RDC is measured in HP 4338B mill ohm meter.(or equivalent).
4. Isat : Based on inductance change ($\Delta L/L_0$:-20% typical)
5. Irat : Based on temperature rise (ΔT : 40°C TYP.)

CIP0520 HI SERIES



RELIABILITY SPECIFICATION

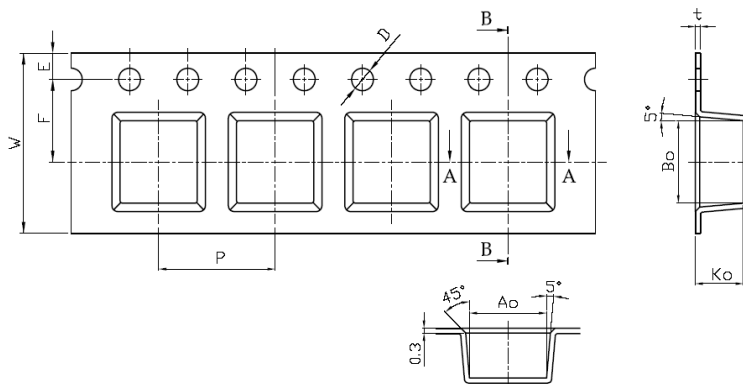
ITEM	SPECIFICATION	TEST CONDITION
Solderability	The metalized area must have 95% minimum solder coverage.	1. Preheating at $160\pm 10^{\circ}\text{C}$ 90sec 2. $245^{\circ}\text{C} \pm 5^{\circ}\text{C}$ for 2 ± 1 sec
Substrate Bending	$\Delta L/L_0 : \leq \pm 5\%$ There shall be no mechanical damage or electrical damage.	The sample shall be soldered onto the printed circuit board and a load applied until the figure in the arrow direction is made approximately 2mm(keep time 5 ± 1 seconds) <div style="text-align: center;"> <p style="text-align: center;">PRESSURE ROD</p> </div>
Vibration	$\Delta L/L_0 : \leq \pm 5\%$ There shall be no mechanical damage	Solder specimen inductor on the test printed circuit board. Apply vibrations in each of the x,y and z directions for 2 house for a total of 6 hours. Frequency : 10~55~10Hz in 60sec as a period Amplitude : 1.5mm
High Temperature Storage	$\Delta L/L_0 : \leq \pm 5\%$ There shall be no mechanical damage or electrical damage.	The sample shall be left for 96 hours in an atmosphere with a temperature of $85\pm 2^{\circ}\text{C}$ and a normal humidity. Upon the measurement shall be made after the sample has been left in a normal temperature and normal humidity for 1 hour.
Low Temperature Storage	$\Delta L/L_0 : \leq \pm 5\%$ There shall be no mechanical damage or electrical damage.	The sample shall be left for 96 hours in an atmosphere with a temperature of $-40\pm 2^{\circ}\text{C}$. Upon completion of the test, the measurement shall be made after the sample has been left in a normal temperature and normal humidity for 1 hour.
Thermal Shock	$\Delta L/L_0 : \leq \pm 5\%$ There shall be no damage problems.	The sample shall be subject to 10 continuous cycles, such as shown in the following temperature cycle: <div style="text-align: center;"> </div> Measure the test items after leaving the inductors at room temperature and humidity for 1 hours.
Moisutire Storage	$\Delta L/L_0 : \leq \pm 5\%$ There shall be no mechanical damage.	The sample shall be left for 96 hours in a temperature of $60\pm 2^{\circ}\text{C}$ and a humidity(RH) of 90~95%. Upon completion of the test, the measurement shall be made after the sample has been left in a normal temperature and normal humidity more than 1 hour.

PACKAGING INFORMATION

The packaging must be done not to receive any damage during transporting and storing.

1. Tape dimensions

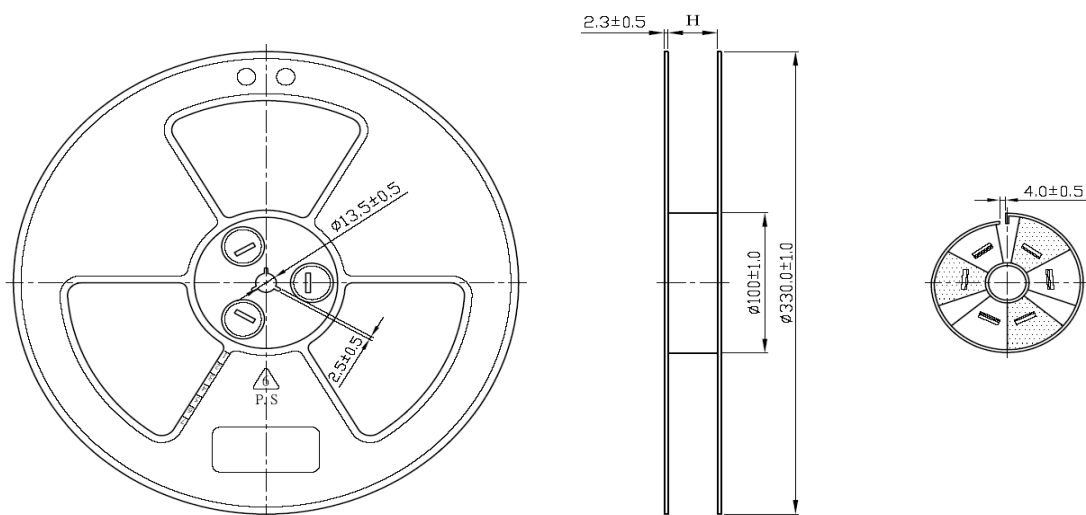
* CIP0520 / 0530 / 0630 SERIES



(Unit:m/m)

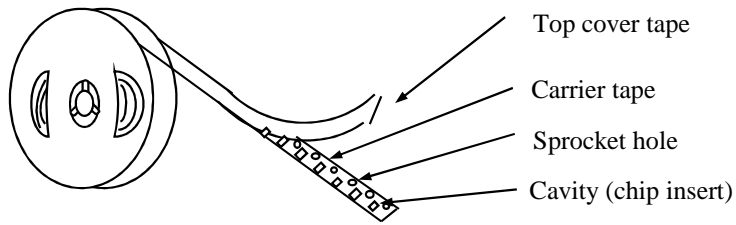
	0520	0530	0630
A0	5.30	5.30	7.20
B0	5.50	5.50	7.50
K0	2.20	3.30	3.60
P	8.00	8.00	12.00
t	0.40	0.40	0.30
W	12.00	12.00	16.00
E	1.75	1.75	1.75
F	5.50	5.50	7.50
D	1.50	1.50	1.50

2. Reel dimensions



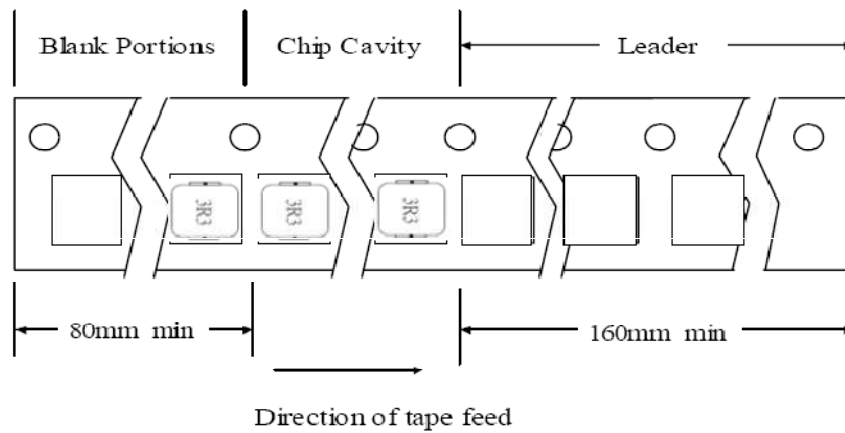
PACKAGING INFORMATION

3. Tapping figure



4. Packaging Form

There shall not continuation more than two vacancies of the product.



5. Packing Quantity

Reel Dimension (m/m) = ϕ 330	0520 series	0530 series	0630 series
Part per Reel (pcs)	2000	2000	1500
Inner Carton	4 Reels	4 Reels	4 Reels
Master Carton (pcs)	32000	32000	24000